

## HIGH-BAY LED LAMP

КОД ИЗДЕЛИЯ: PH-HBL-240W-31



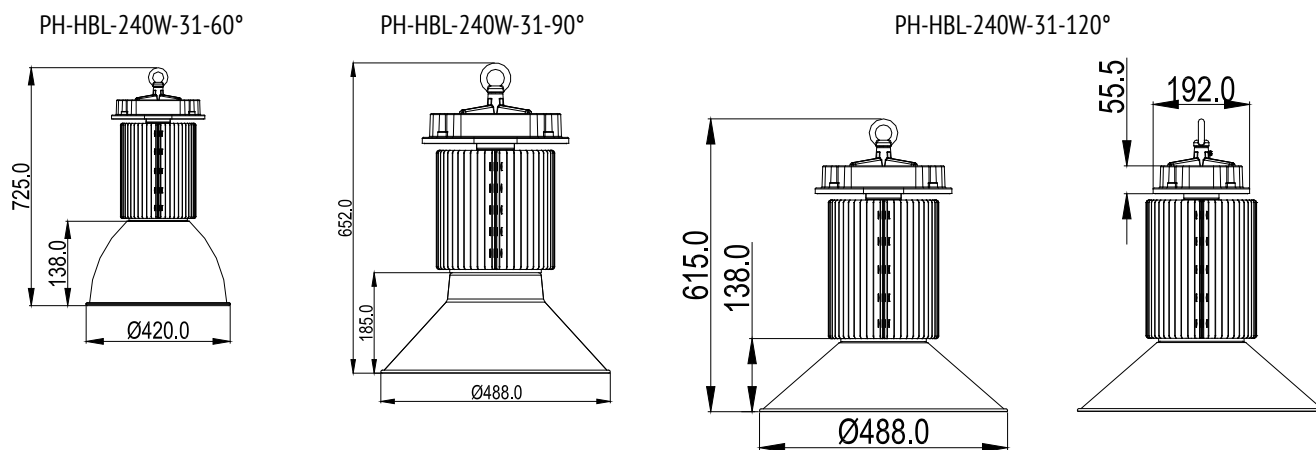
Suitable for warehouses, production and logistics workshops, retail stores, indoor stadiums, hockey holls, amusement parks and public places, and other industrial and commercial lighting purposes.



### PHOTOELECTRIC SPECIFICATIONS

Item	Input Voltage	Input Frequency	Consumption	Power Factor	Lamp Flux	Lamp Efficiency	Luminaire flux	Luminaire Efficiency	Angle	Nett weight
PH-HBL-240W-31	AC100-277V	50/60Hz	231W	>0.9	22750Lm	98Lm/W	18265Lm	79Lm/W	60°	10.1 kg
PH-HBL-240W-31	AC100-277V	50/60Hz	231W	>0.9	22750Lm	98Lm/W	20003Lm	87Lm/W	90°	10.1 kg
PH-HBL-240W-31	AC100-277V	50/60Hz	231W	>0.9	22750Lm	98Lm/W	20471Lm	89Lm/W	120°	10.1 kg

### DIMENSIONS



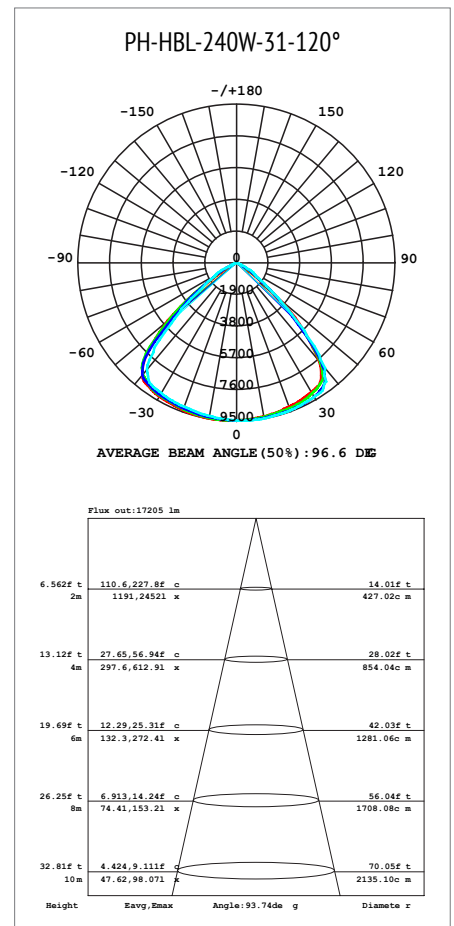
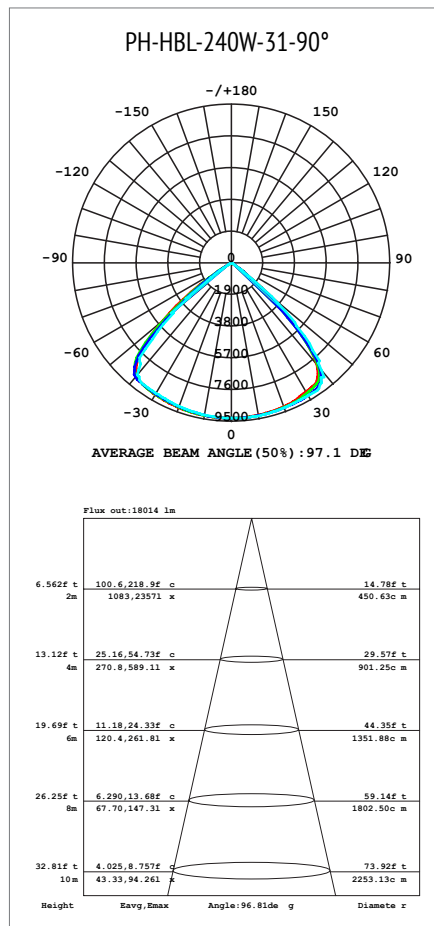
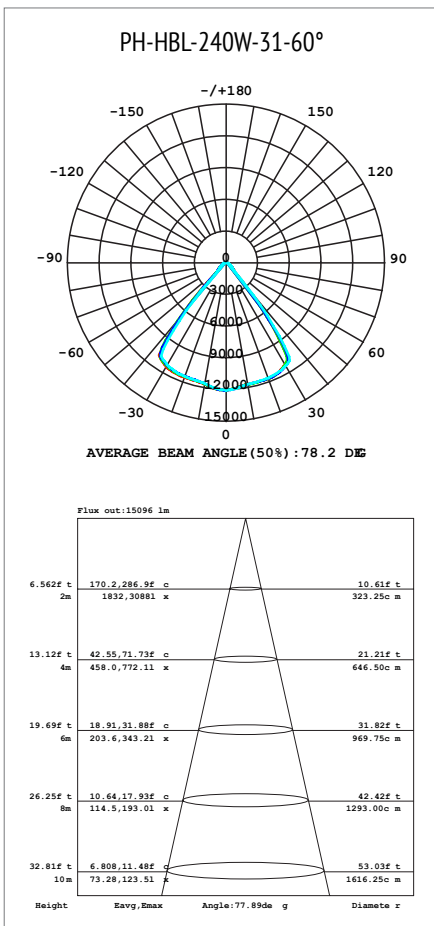
### LIGHT SOURCE SPECIFICATIONS

LED type	Epistar
Color Accuracy (CRI)	CRI>70
Color Temperature	WW(3000-3500K)    NW (4000-4500K)    CW(5000-6500K)

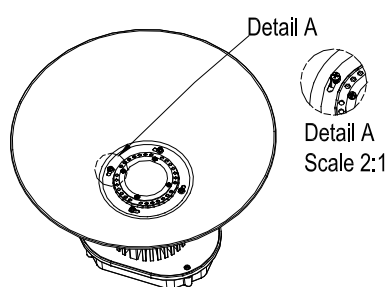
### ENVIRONMENT SPECIFICATIONS

Operational Temperature Range	-20°C ~ +50°C
Preservation Temperature Range	-40°C ~ +60°C
Operational Humidity Range	95% Rh or below (@-20°C~50°C)
Installation Area	indoor and outdoor: IP65
Lifespan	>35,000 hours
Warranty period	3 years

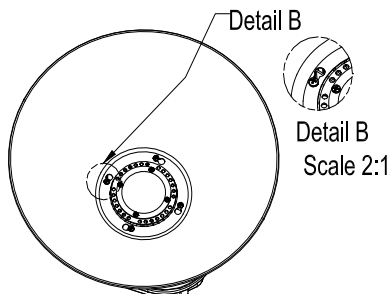
### OPTICAL SPECIFICATIONS



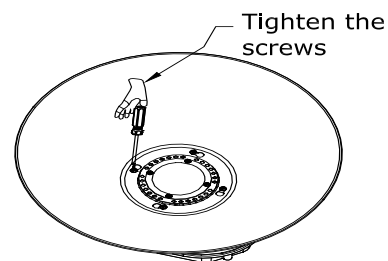
## ISNTALLATION



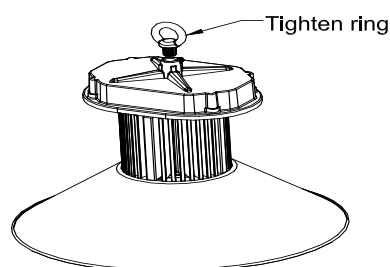
**Step 1.** First make reflector aligned with screws bit



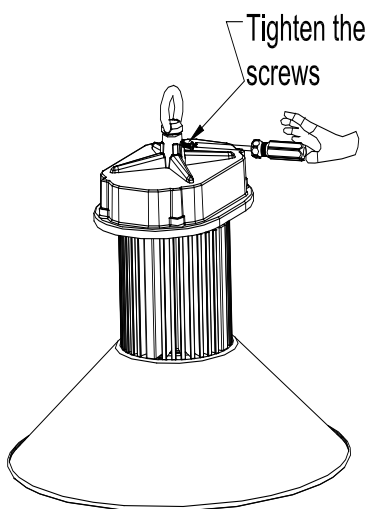
**Step 2.** Make reflectors anti-twist, and let the screw stuck the reflectors



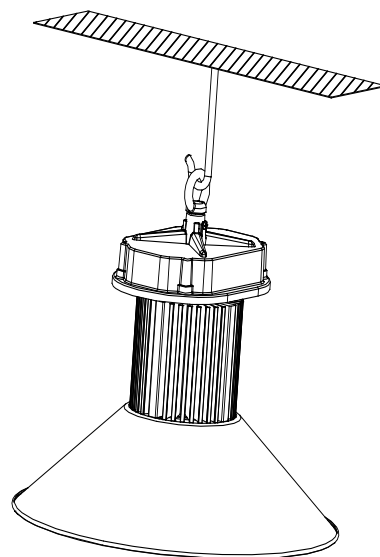
**Step 3.** Use screwdriver to tight the reflector



**Step 4.** Assembly the ring on the lamp



**Step 5.** Use screw to fix the ring



**Step 6.** Hang on the lamp on the roof of the hook

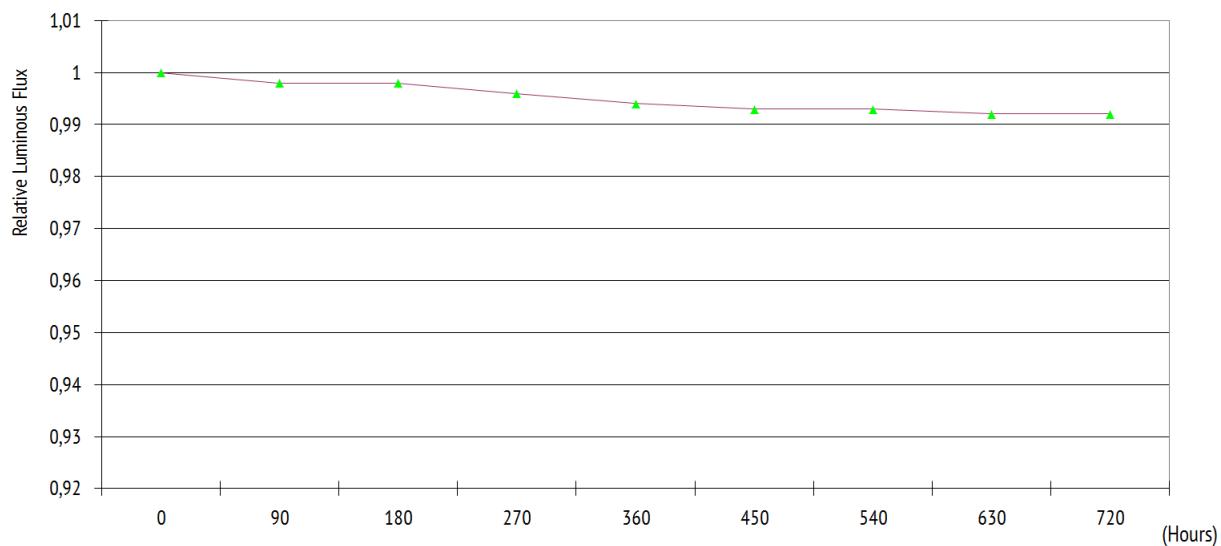
## PACKING SPECIFICATIONS

Item	Box			Carton		
	Measurement (mm)	Gross weight	pcs/box	Measurement (mm)	Gross weight	pcs/carton
PH-HBL-240W-31	L320*W310*H500	11.5 kg	1	L335*W325*H520	13 kg	1
Reflector 120°	-	-	-	L515*W520*H200	5.3 kg	8
Reflector 90°	-	-	-	L515*W520*H360	5.6 kg	8
Reflector 60°	-	-	-	L515*W520*H360	5.6 kg	8

### Remarks:

1. White light series: WW (3000-3500K) NW (4000-4500K) CW (5000-6500K)
2. Luminous flux tolerance for ±10%
3. Products shall be subject to any changes without prior notices

## LIGHT ATTENUATION MAP



### ATTENTION!

1. Please turn off the power supply before installation or changing assembly parts.
2. The input voltage and the lamp should be adapted. After connecting the power line, please make sure the wiring section is insulated.
3. Non-professionals, must not install or dismantle the lamps.
4. All the floodlights during installation and in use should not be put with glass cover vertically upside.